



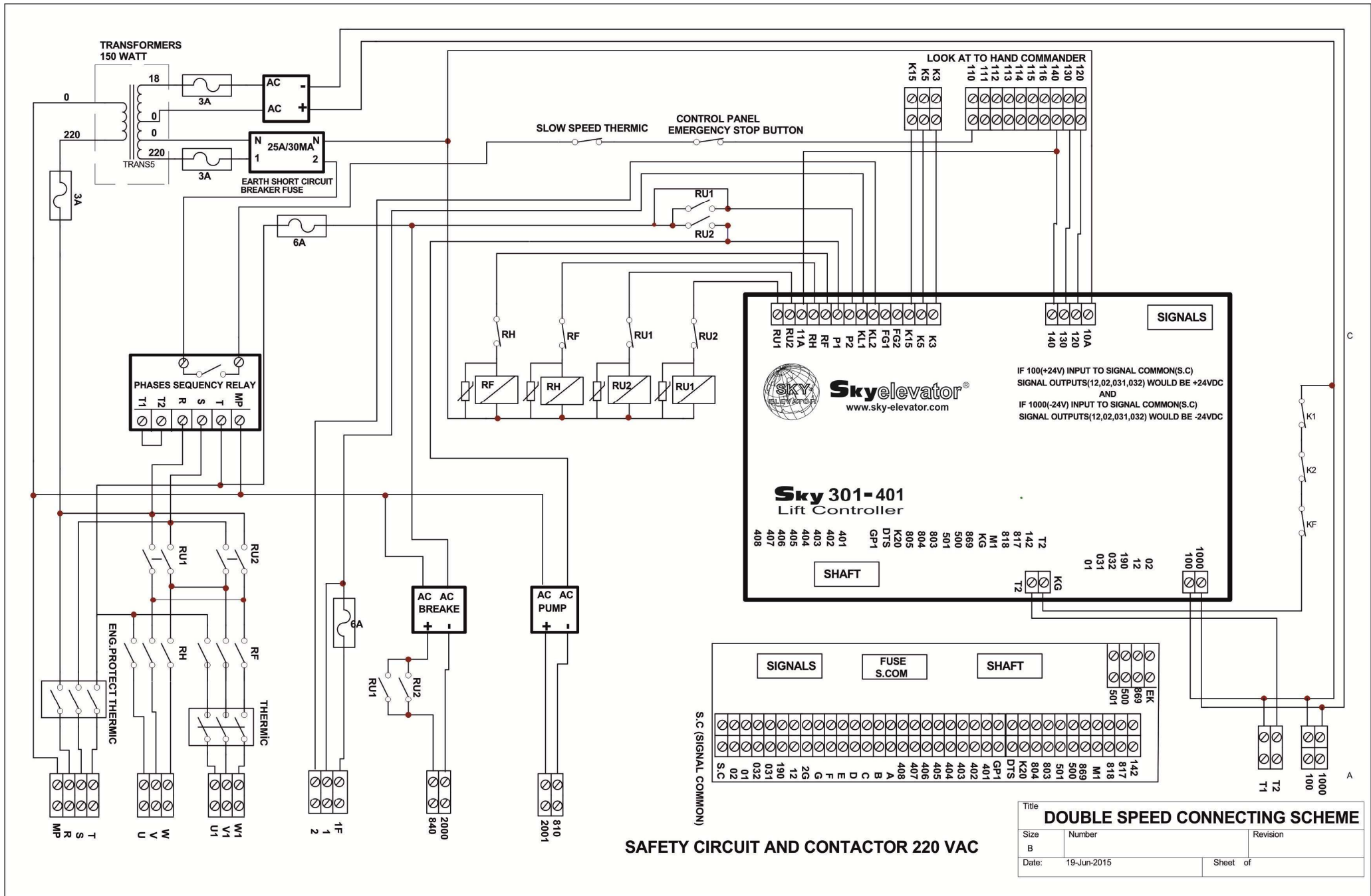
Sky
Elevator
www.sky-elevator.com



Sky-401

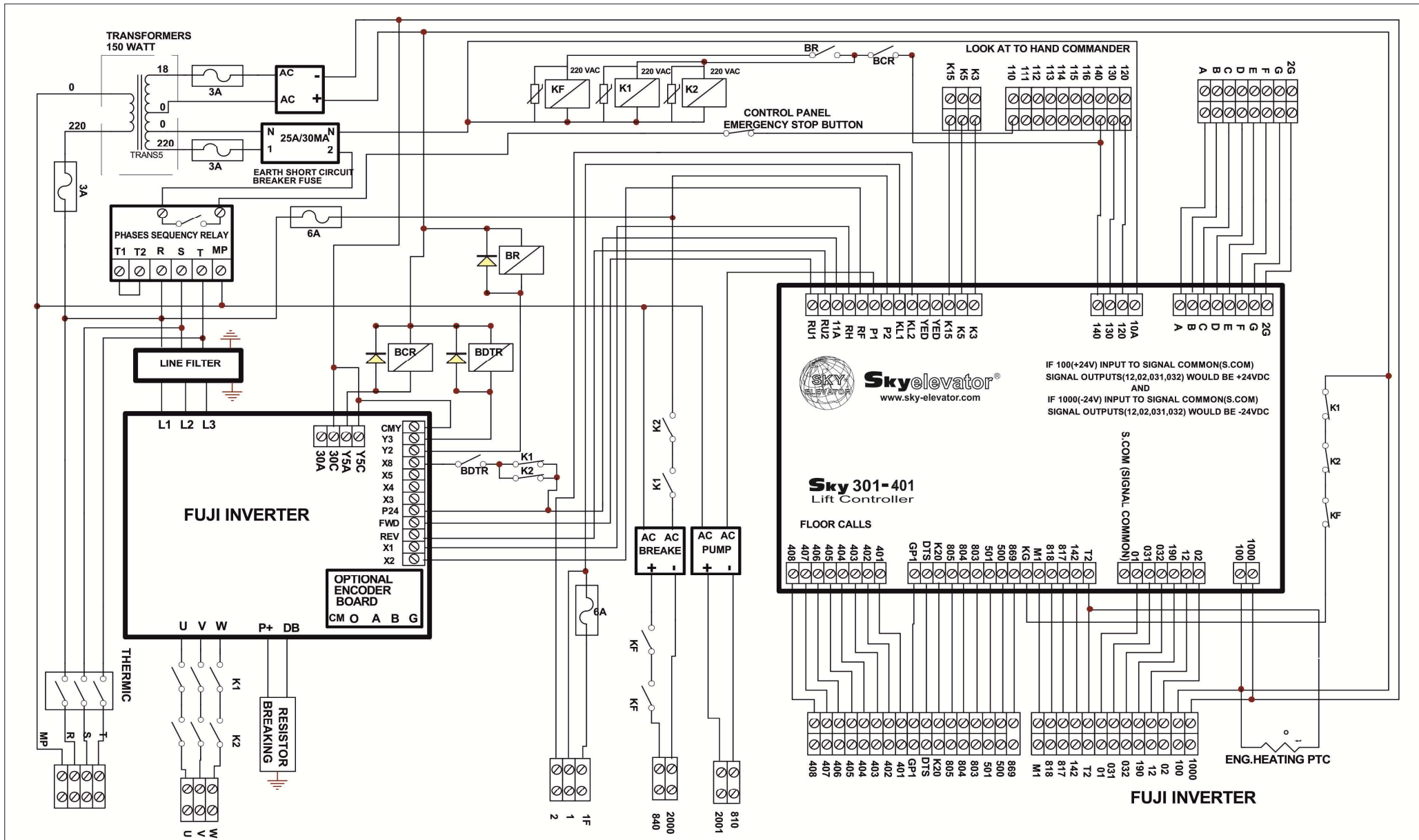
MAIN CONTROL BOARD TECHNICAL DRAWING

V - 2.0



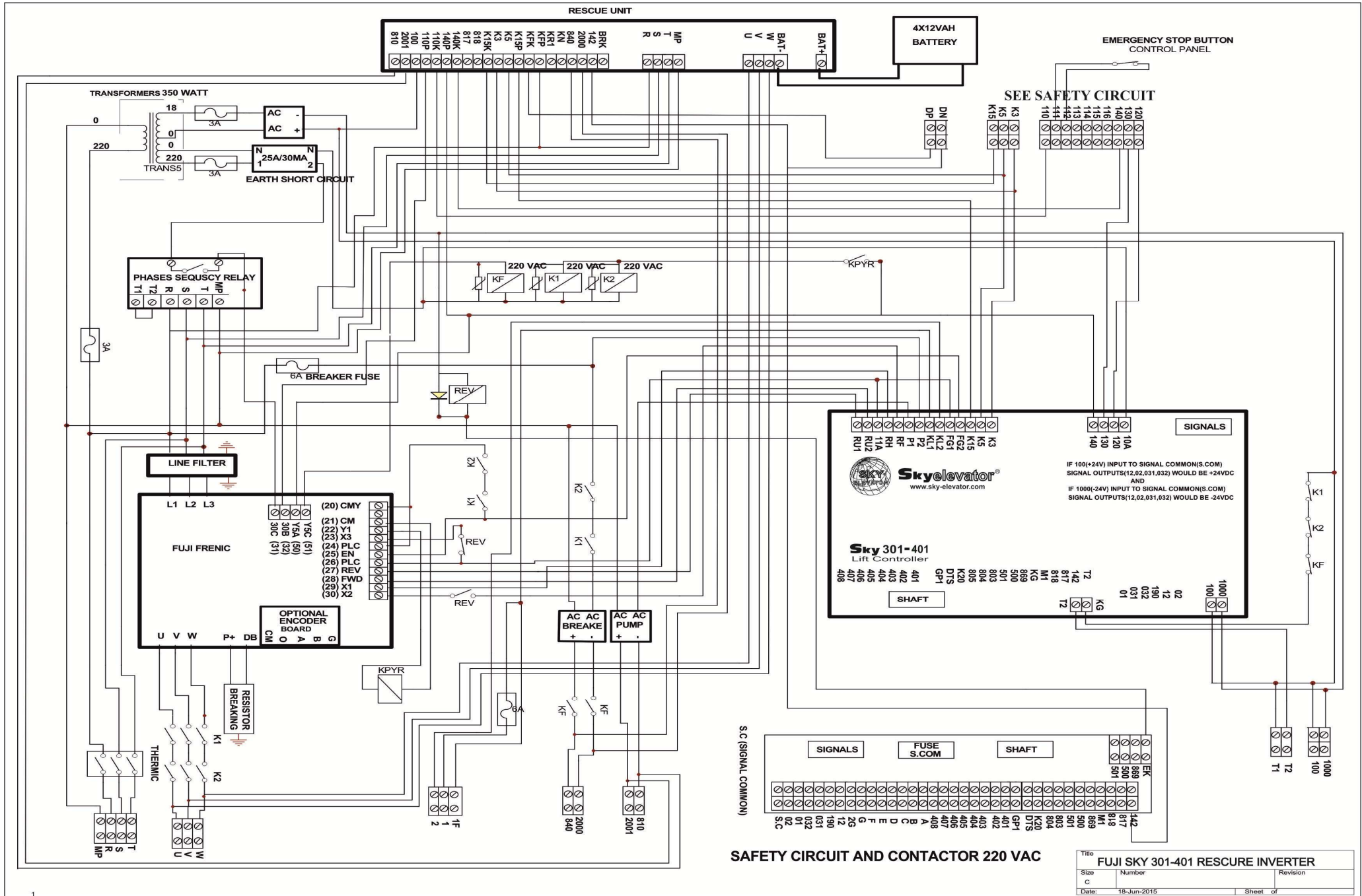
SAFETY CIRCUIT AND CONTACTOR 220 VAC

Title			DOUBLE SPEED CONNECTING SCHEME		
Size	Number	Revision			
B					
Date:	19-Jun-2015	Sheet of			



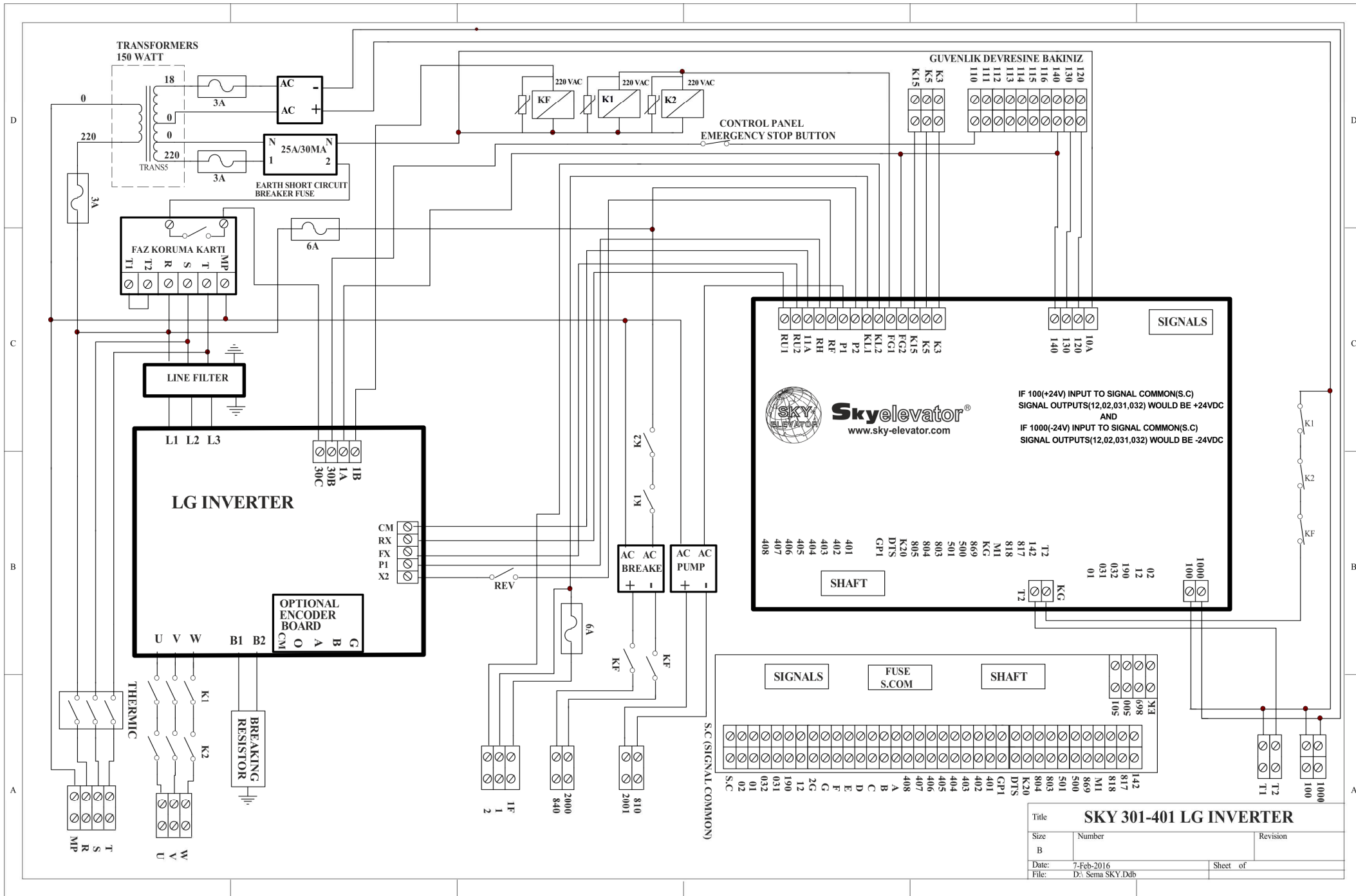
SAFETY CIRCUIT AND CONTACTOR 220 VAC

Title FUJI SKY 301-401 INVERTER		
Size C	Number	Revision
Date: 18-Jun-2015	Sheet of	



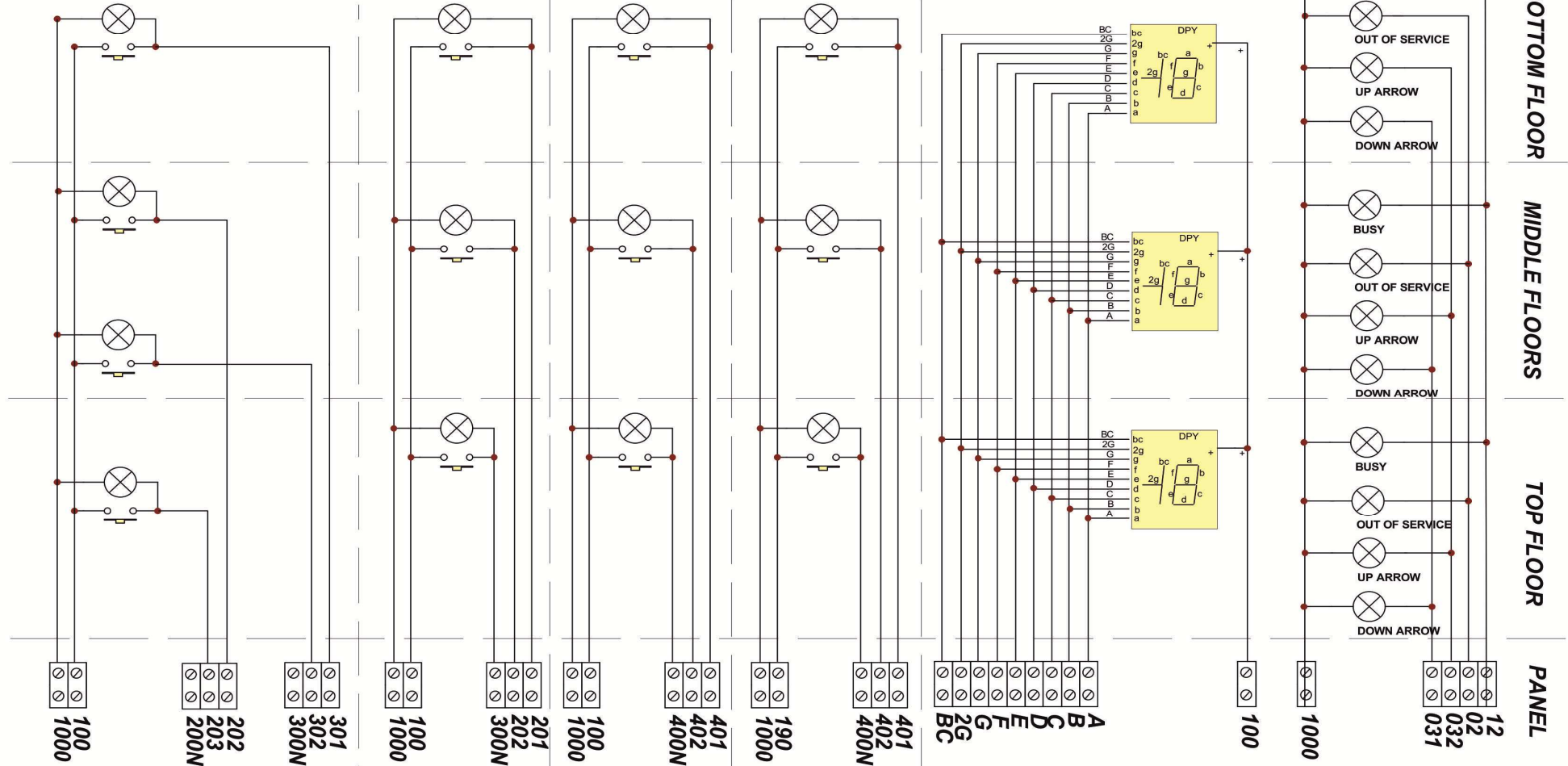
SAFETY CIRCUIT AND CONTACTOR 220 VAC

Title		
FUJI SKY 301-401 RESCUE INVERTER		
Size	Number	Revision
C		
Date:	18-Jun-2015	Sheet of



Title			SKY 301-401 LG INVERTER		
Size	Number	Revision			
B					
Date:	7-Feb-2016	Sheet		of	
File:	D:\Sema SKY.Ddb				

FLOOR INSTALLATION CONNECTION



COLLECTIVE DOUBLE BUTTON

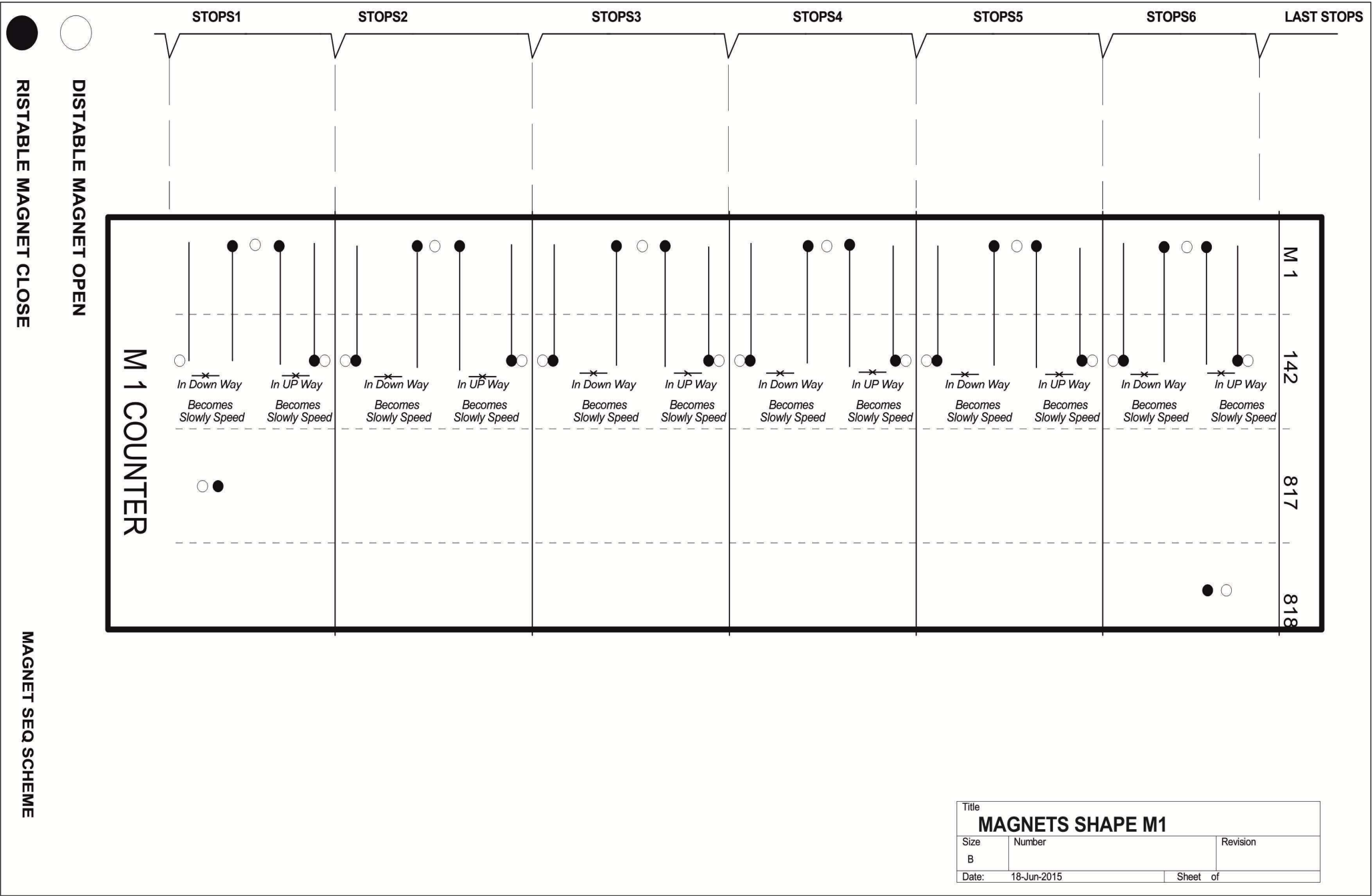
COLLECTIVE DOWN / UP

COLLECTIVE MIXED

BASIC COMMAND

SIGNAL COMMON (S.COM), SIGNAL OUTPUT(12,02,031,032) WOULD BE(-24V)
 (12,02,031,032) WOULD BE(+24V) AND IF 1000 (-24V) INPUT TO
 IF 100 (+24V) INPUT TO SIGNAL COMMON (S.COM) SIGNADOUTPUT

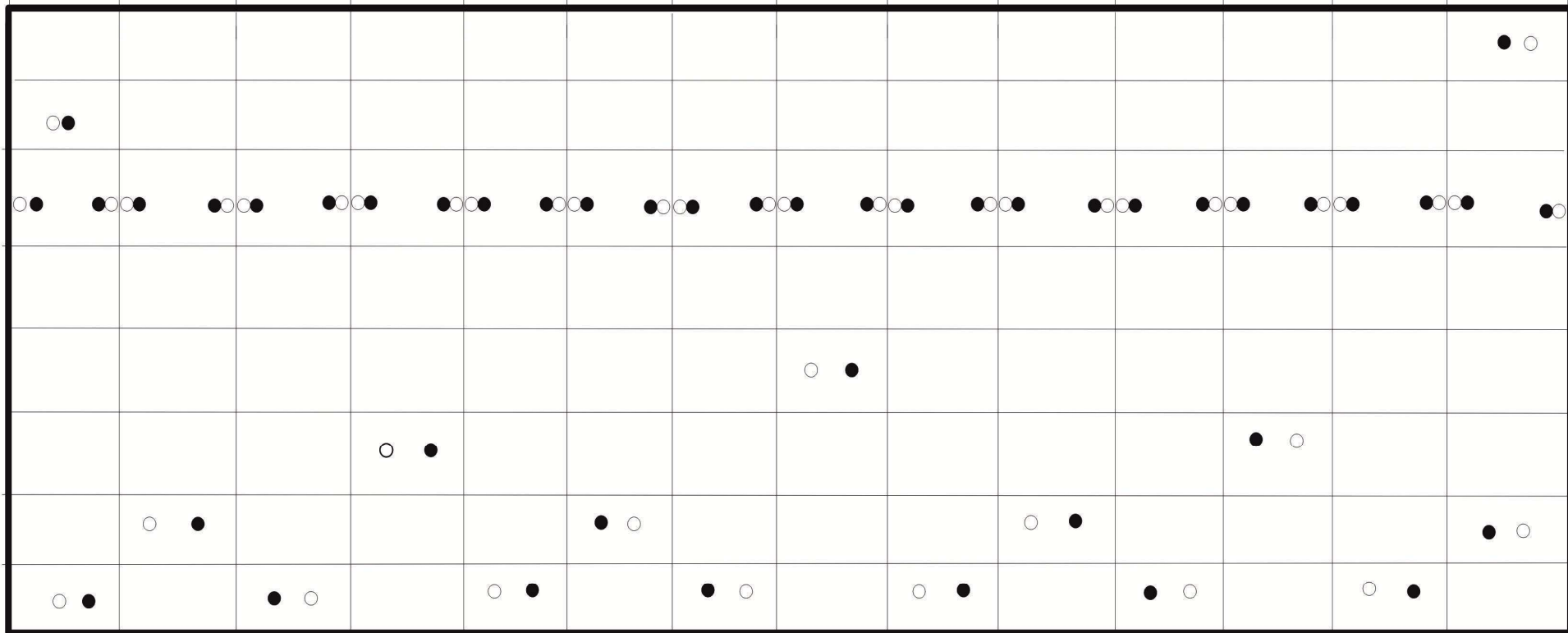
Title FLOOR		
Size C	Number	Revision
Date: 18-Jun-2015	Sheet of	



Title		
MAGNETS SHAPE M1		
Size	Number	Revision
B		
Date:	18-Jun-2015	Sheet of

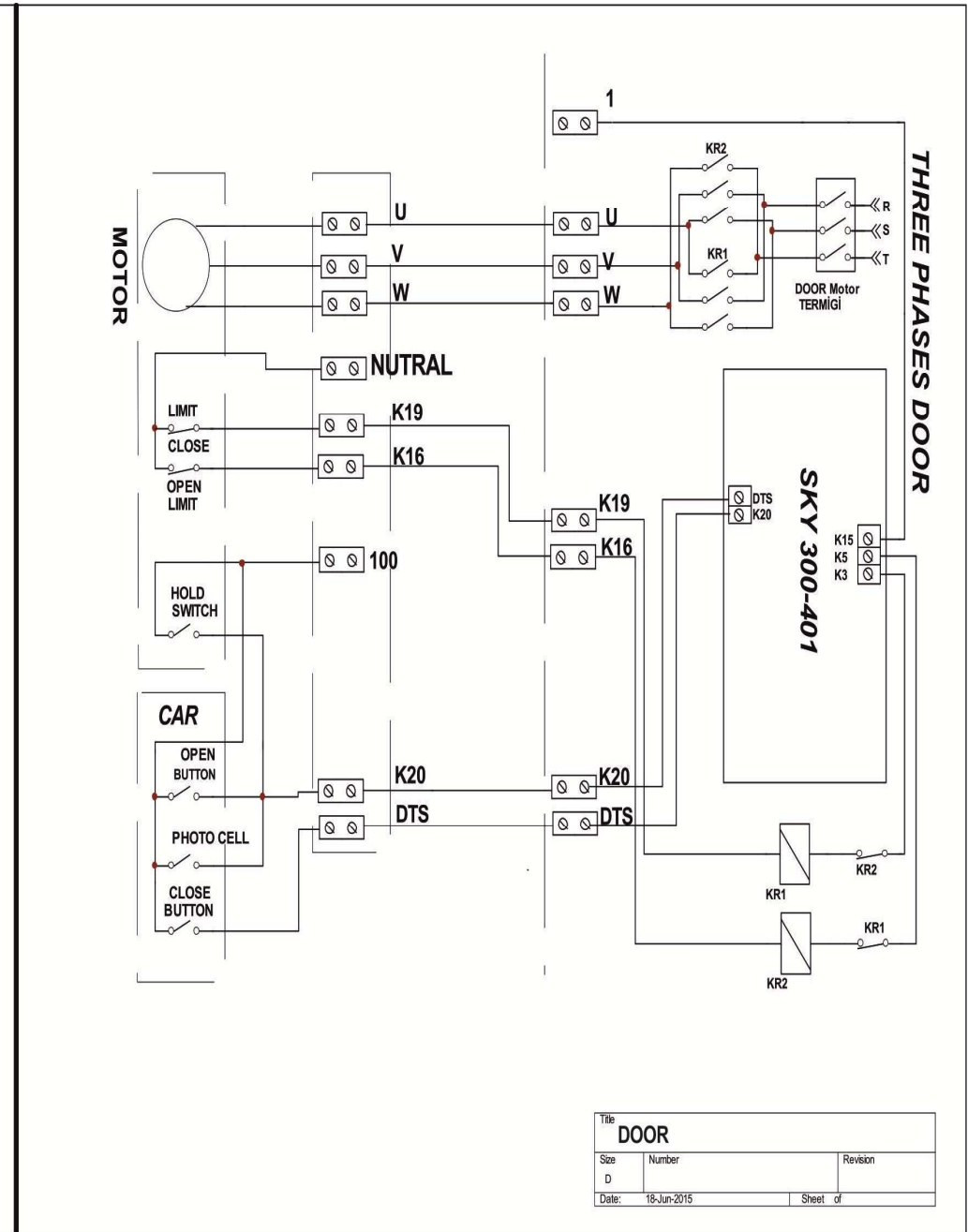
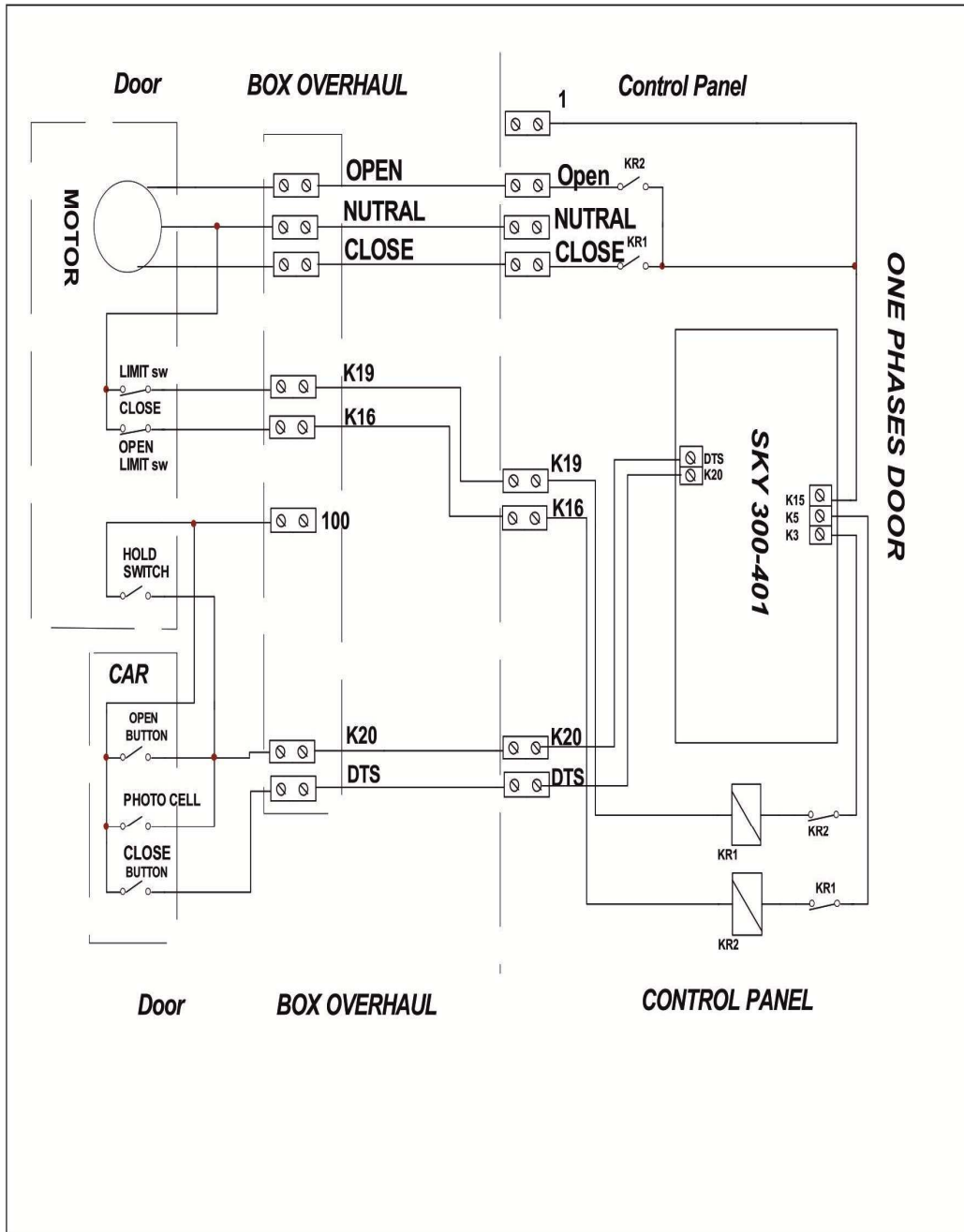
STOPS1 STOPS2 STOPS3 STOPS4 STOPS5 STOPS6 STOPS7 STOPS8 STOPS9 STOPS10 STOPS11 STOPS12 STOPS13 STOPS14 STOPS15

GRAY CODE



818 817 142 M 4 M 3 M 2 M 1 M 0

Title MAGNETS SHAPE GRAY CODE		
Size B	Number	Revision
Date: 18-Jun-2015	Sheet of	



Title DOOR		
Size D	Number	Revision
Date: 18-Jun-2015	Sheet of	